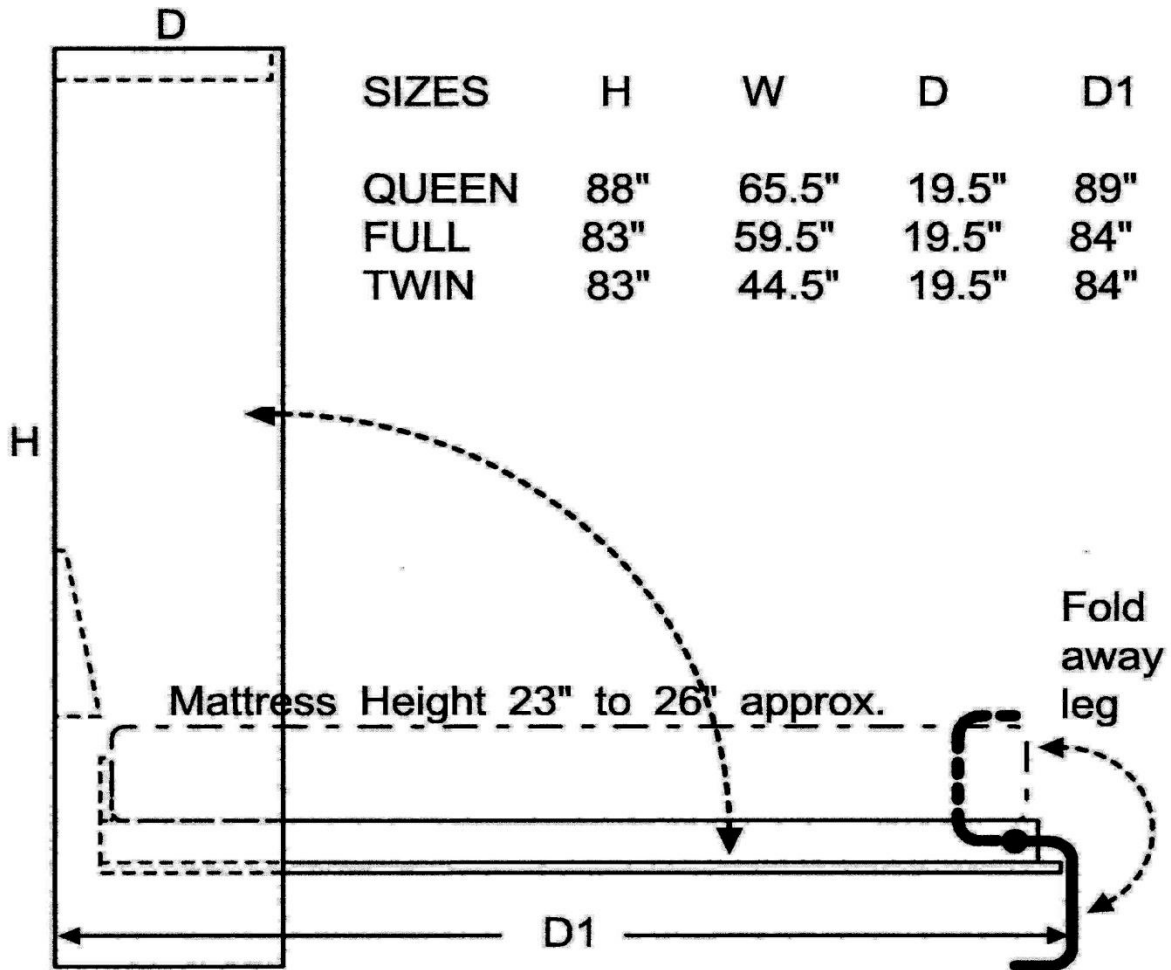


MURPHY BED SIZES



The sizes above apply to all vertical Murphy beds in the following ranges:

Traditional Raised Panel (TRP), Framed Flat Panel (FFP), Plain Panel (PP), Folding Table (FT)

In addition to the sizes above a king size bed is available in the Framed Flat Panel range with dimensions the same as the queen size except the width, 'W', is 71.5".

All models can be supplied in 16" depths on demand but the mattress height will be reduced by 6". Please contact USA Murphy Beds for details.

For Horizontal (side mount) murphy beds

	W	H	D	D1
TWIN	81.5"	47.5"	16"	48"
FULL	81.5"	62.5"	16"	63"
QUEEN	86.5"	68.5"	16"	69"